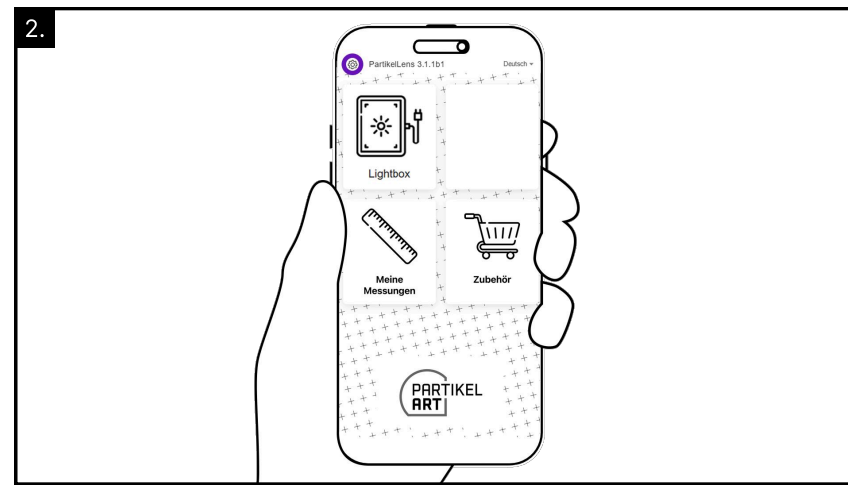
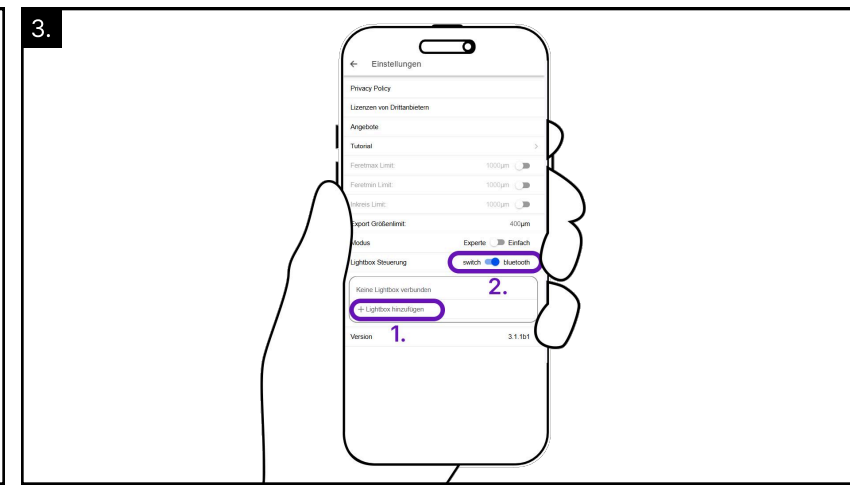


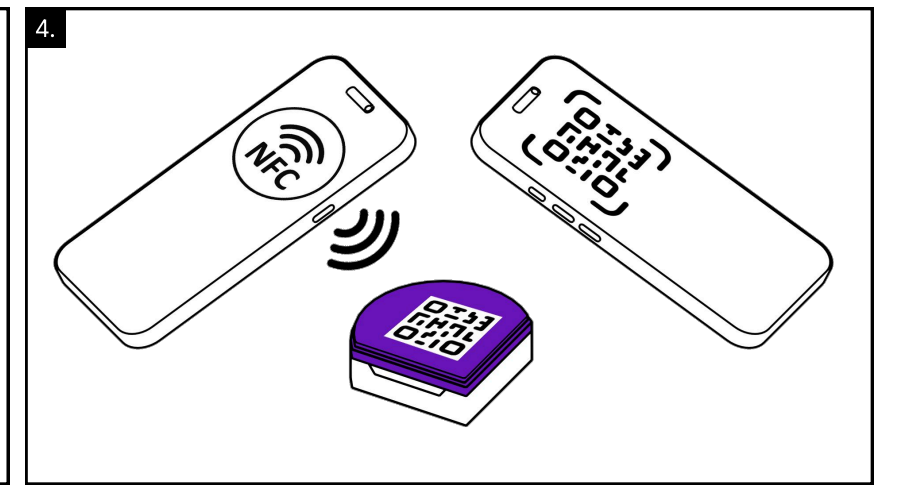
1. Turn on the lightbox.



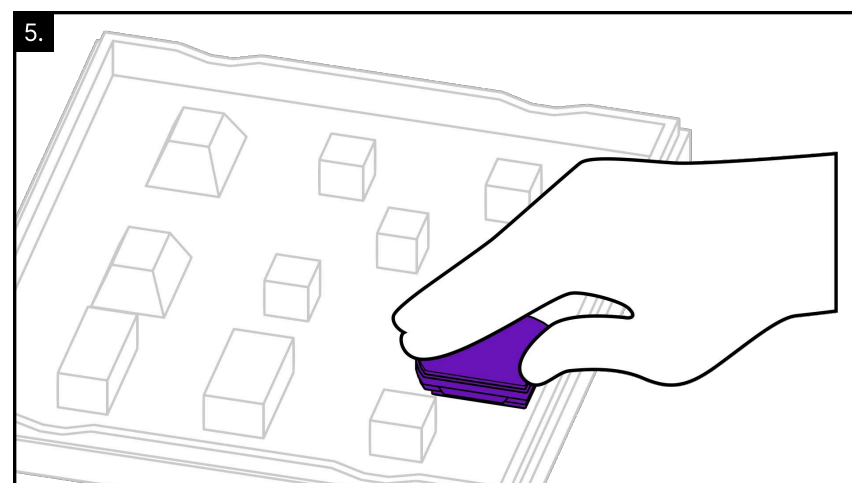
2. Open the PartikelART app and activate the lightbox under Settings.



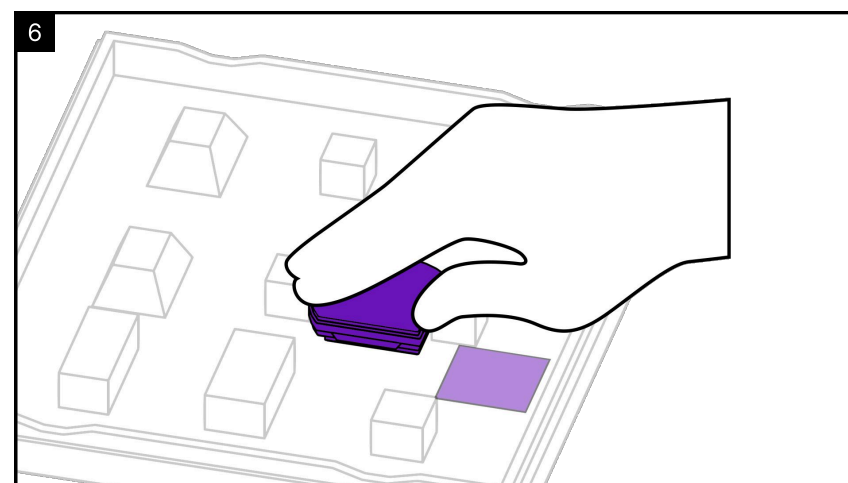
3. Add the lightbox to your devices. Set the lightbox control mode to Bluetooth.



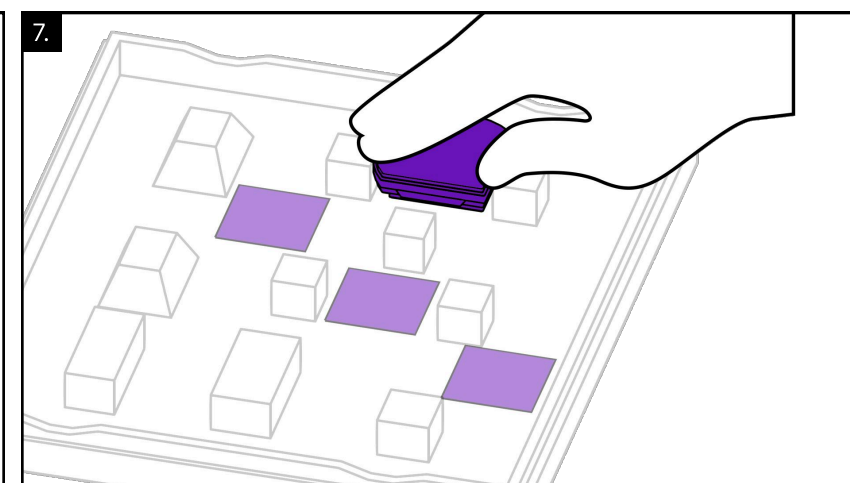
4. Scan the TracePad QR code or connect the TracePad and iPhone via NFC.



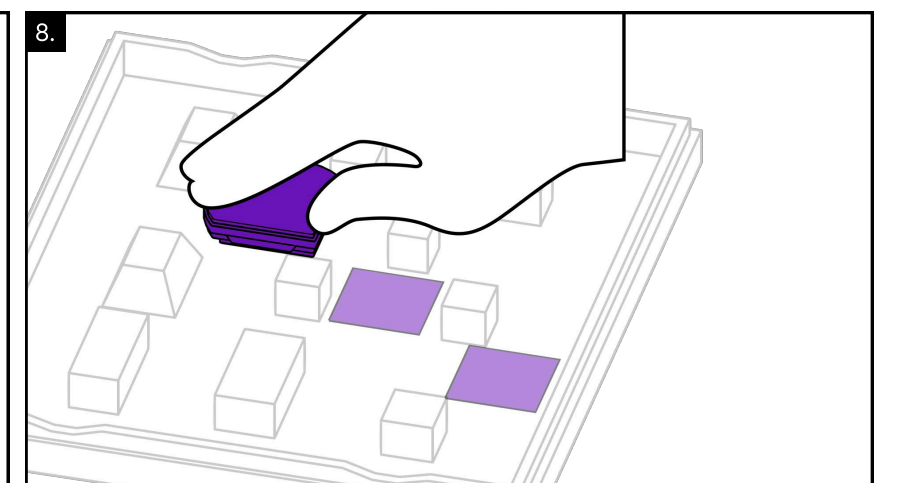
5. Use the TracePad to collect particles at various locations.



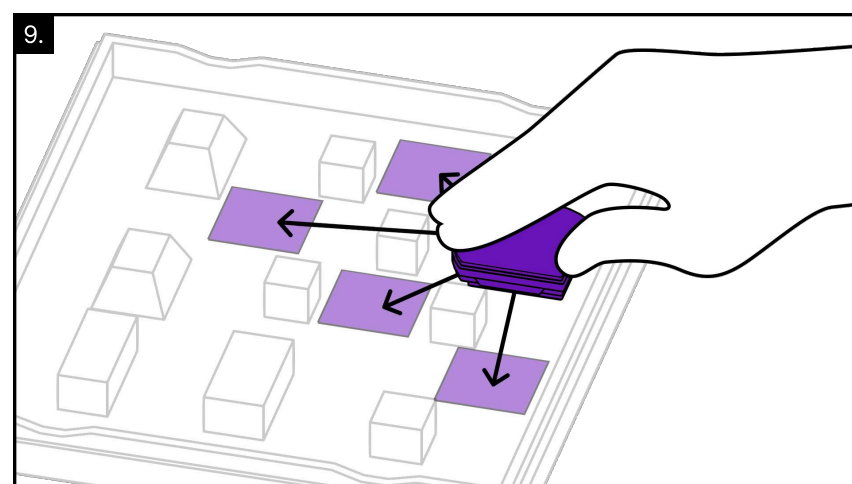
6. Use the TracePad to collect particles at various locations.



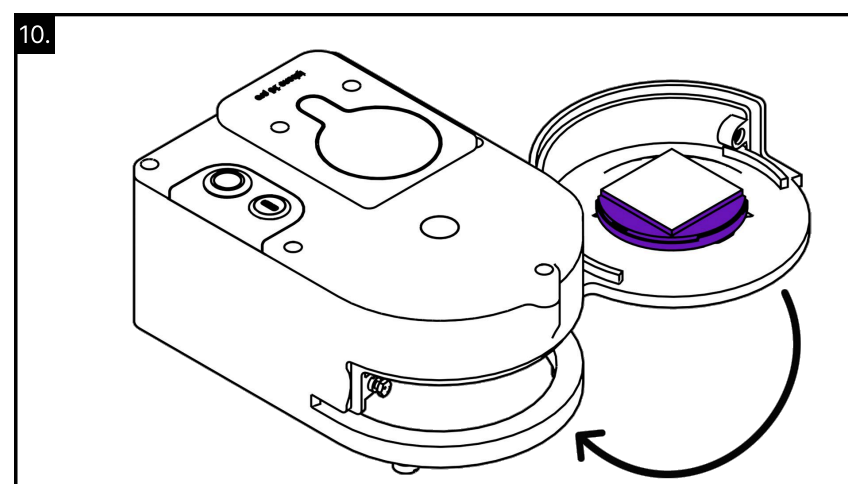
7. Use the TracePad to collect particles at various locations.



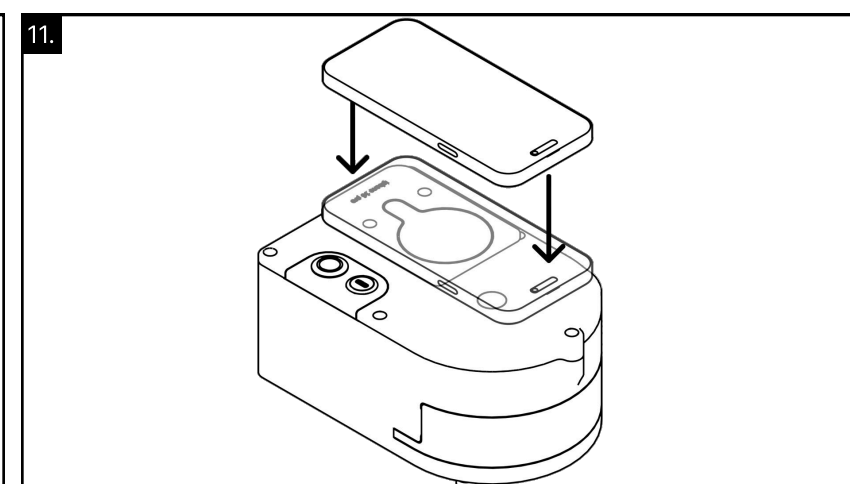
8. Use the TracePad to collect particles at various locations.



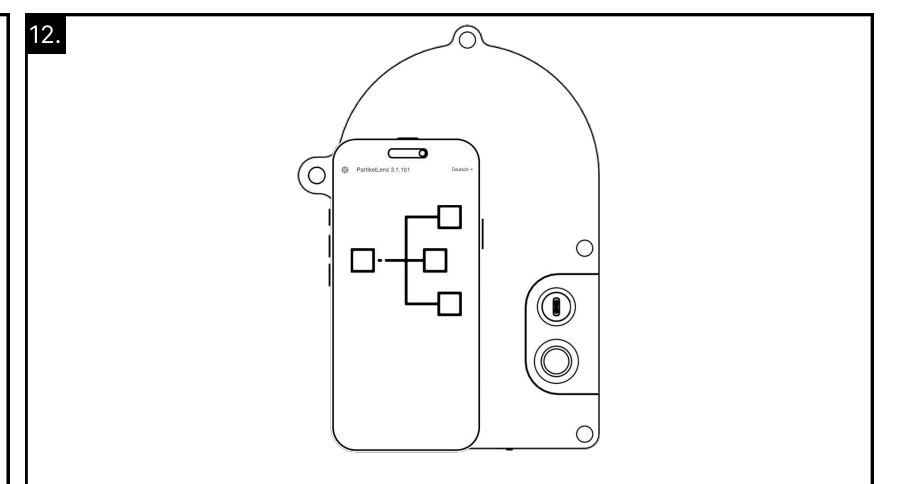
9. Use the TracePad to collect particles at various locations.



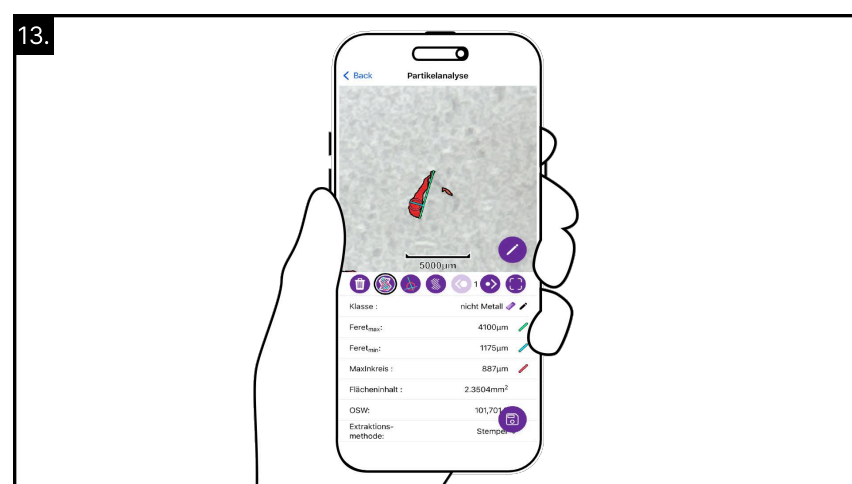
10. Insert the TracePad into the lightbox compartment and close it securely.



11. Place your iPhone on the lightbox, aligning it with the MagSafe area. The integrated magnets will auto-align your device.



12. Follow the app instructions displayed on your iPhone.



13. View your results on the results screen.